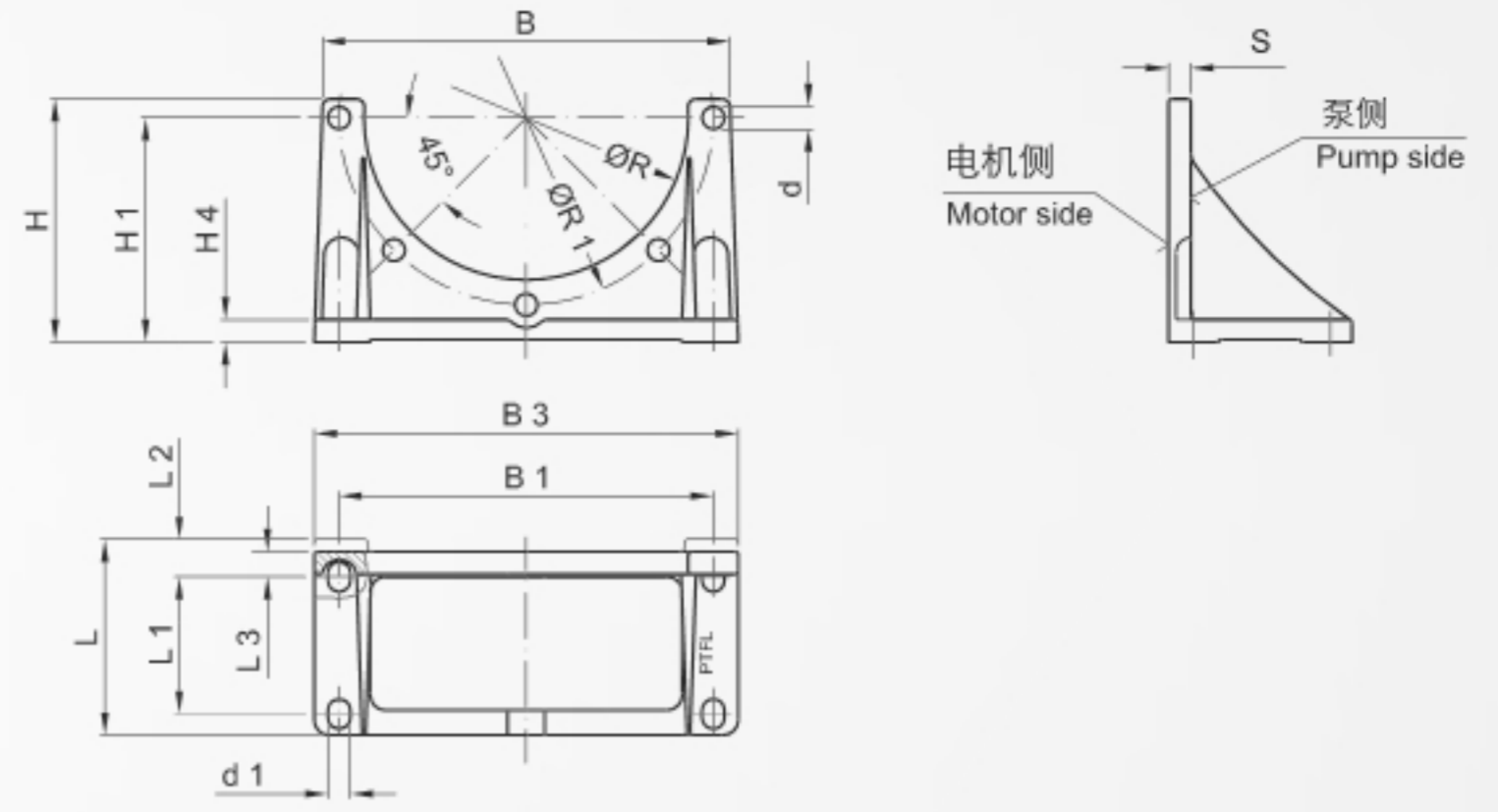


轻量型 / LIGHT LINE PTFL



产品描述

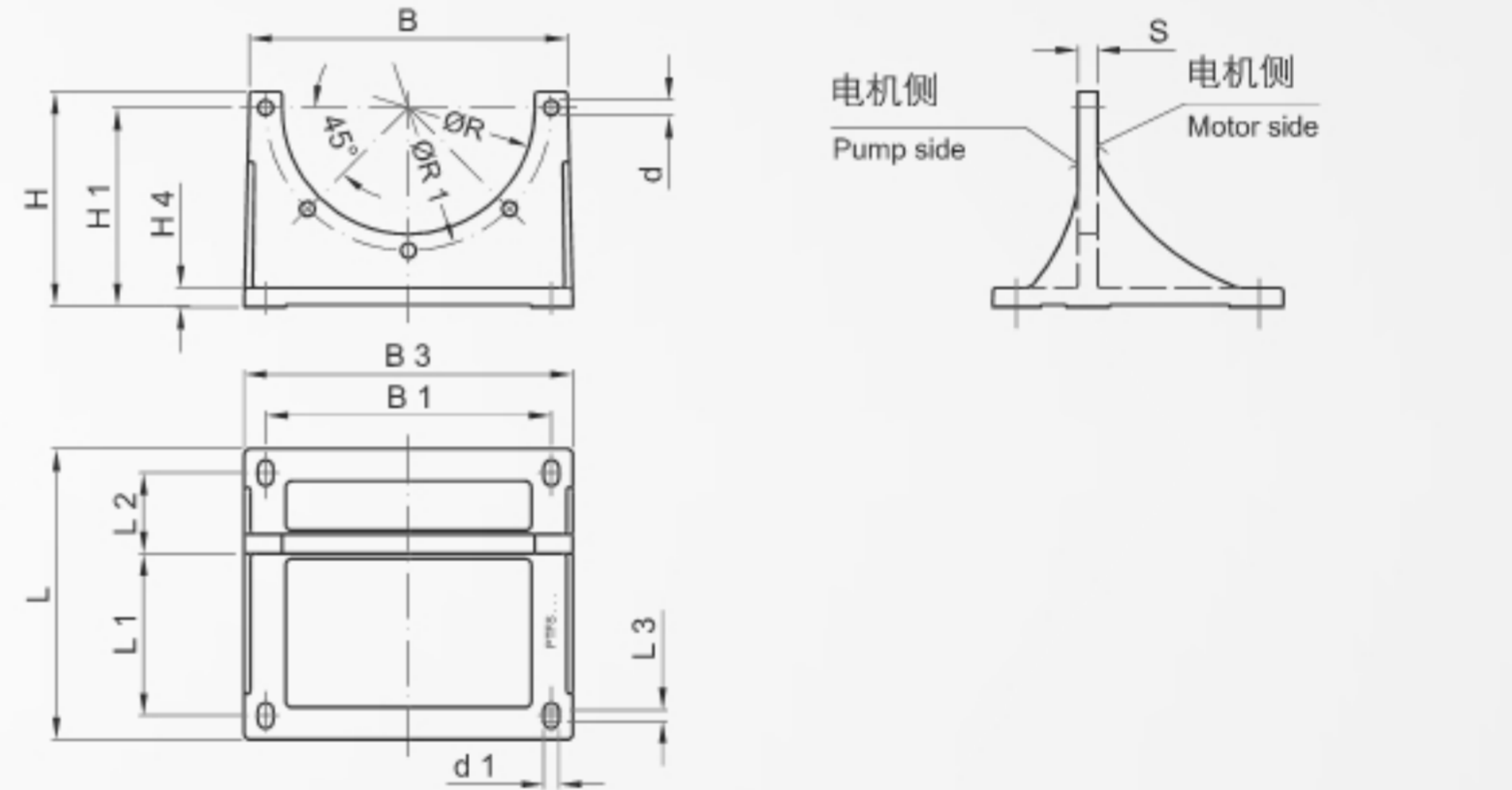
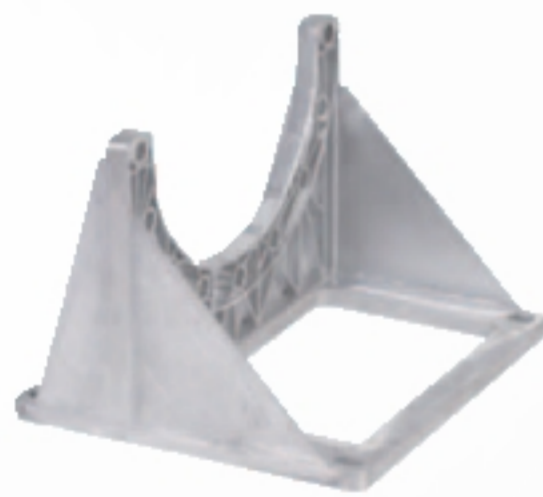
- 材质: 铸铝
- PTFL 系列: 轻量化和小型化结构设计
- PTFS 系列: 重型系列, 适合多钟泵
- 适用于IEC电机的卧式和立式结构

PRODUCT DESCRIPTION

- Material: Aluminium
- PTFL: Light and space saving construction
- PTFS: Heavy line, especially suitable also for multiple pumps
- Stocking of one IEC motor in case of horizontal and vertical construction

| PTFL 型 / SERIE PTFL | 产品型号 SIZE | IEC 电机型号 IEC MOTOR SIZE | 尺寸标注 / DIMENSIONS mm | | | | | | | | | | | | | | |
|---------------------|--------------|-------------------------------------|-------------------------|----------------|----------------|-----|----------------|----------------|----------------|----|-----|----------------|----------------|----------------|-------|----------------|----|
| | | | B | B ₃ | B ₁ | L | L ₁ | L ₂ | L ₃ | S | H | H ₁ | H ₄ | d ₁ | R | R ₁ | d |
| | PTFL 160 | 71 | 160 | 160 | 140 | 80 | 50 | 15 | 7 | 8 | 111 | 100 | 10 | 9 | 110,5 | 130 | 9 |
| | PTFL 200 | 80/90 | 200 | 210 | 180 | 90 | 60 | 15 | 4 | 10 | 125 | 112 | 12 | 11 | 145,5 | 165 | 11 |
| | PTFL 250 | 100/112 | 250 | 252 | 220 | 110 | 60 | 21 | 21 | 12 | 145 | 132 | 15 | 14 | 190,5 | 215 | 14 |
| | PTFL 300 | 132 | 290 | 295 | 260 | 120 | 80 | 20 | 20 | 16 | 172 | 160 | 18 | 14 | 234,5 | 265 | 14 |
| | PTFL 350 | 160/180 | 340 | 340 | 300 | 147 | 110 | 20 | 20 | 18 | 195 | 180 | 18 | 18 | 261 | 300 | 18 |

重量型 / HEAVY LINE PTFS



| PTFS 型 / SERIE PTFS | 产品型号 SIZE | IEC 电机型号 IEC MOTOR SIZE | 尺寸标注 / DIMENSIONS mm | | | | | | | | | | | | | | |
|---------------------|--------------|-------------------------------------|-------------------------|----------------|----------------|-----|----------------|----------------|----|-----|----------------|----------------|----------------|----------------|-------|----------------|------|
| | | | B | B ₃ | B ₁ | L | L ₁ | L ₂ | S | H | H ₁ | H ₄ | d ₁ | L ₃ | R | R ₁ | d |
| | PTFS 200 | 80/90 | 200 | 202 | 165 | 185 | 100 | 50 | 12 | 138 | 125 | 10 | 11 | 8 | 145,5 | 165 | 11,5 |
| | PTFS 250 | 100/112 | 250 | 252 | 215 | 230 | 125 | 60 | 14 | 170 | 155 | 14 | 14 | 10 | 190,5 | 215 | 14 |
| | PTFS 300 | 132 | 300 | 305 | 265 | 270 | 150 | 75 | 18 | 200 | 185 | 18 | 14 | 10 | 234,5 | 265 | 14 |
| | PTFS 350 | 160/180 | 350 | 356 | 300 | 310 | 175 | 90 | 18 | 252 | 235 | 18 | 18 | 12 | 260,5 | 300 | 18 |
| | PTFS 400 | 200 | 400 | 407 | 350 | 350 | 200 | 100 | 20 | 277 | 260 | 20 | 18 | 12 | 300,5 | 350 | 18 |
| | PTFS 450 | 225 | 450 | 458 | 400 | 385 | 225 | 110 | 22 | 312 | 295 | 20 | 18 | 12 | 350,5 | 400 | 18 |
| | PTFS 550 | 250/280 | 550 | 560 | 500 | 465 | 275 | 140 | 25 | 367 | 350 | 25 | 18 | 12 | 450,5 | 500 | 18 |
| | PTFS 660 | 315 | 660 | 670 | 600 | 555 | 330 | 165 | 30 | 415 | 380 | 30 | 22 | 15 | 550,5 | 600 | 22 |