



产品描述

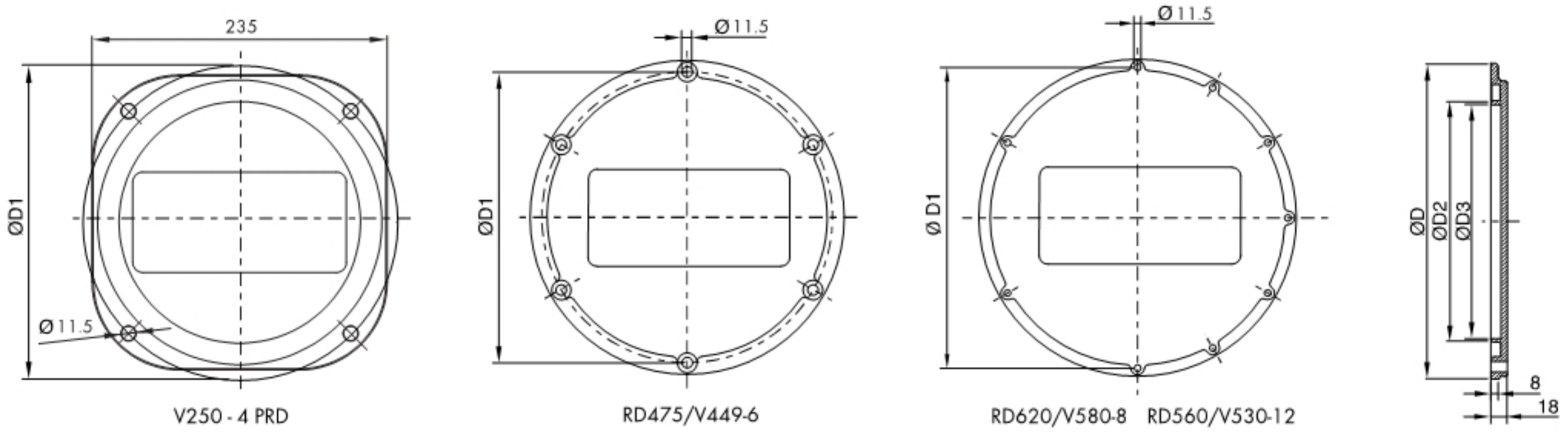
- 清洗盖V324和V449符合DIN24339标准
- 材质: 铝合金
- 所有清洗盖安装螺钉最大扭紧力矩10牛米
- 可以定制公司标志
- 最大可承压0.5bar

PRODUCT DESCRIPTION

- Cleaning covers V324 and V449 according to DIN24339
- Made from aluminium
- Screw tightening torque for all cleaning cover sizes 10Nm at the maximum
- On request available with logo
- Max. permissible pressure = 0.5bar

法兰安装

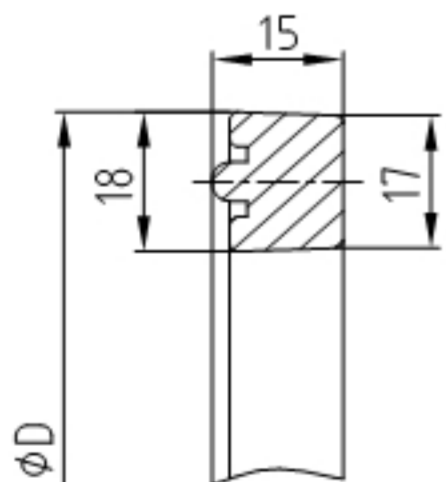
FLANGE ASSEMBLING



产品型号 SIZE	尺寸标注 / DIMENSIONS mm				
	D	D1	D2	D3	螺丝孔数量 Number of bores
V250 - 4 PRD	-	250	193	185	4
RD350/V324-6	350	324	267	261	6
RD475/V449-6	475	449	392	386	6
RD560/V530-12	560	530	470	460	12
RD620/V580-8	620	580	520	512	8

清洗盖配套密封圈

GASKET FORCLEANING COVERS



产品型号 SIZE	产品型号 FORCLEANING COVERS	D(mm)
PRD193NBR	V250 - 4 PRD	229
PRD268NBR	RD350/V324-6	304
PRD393NBR	RD475/V449-6	429
PRD471NBR	RD560/V530-12	507
PRD525NBR	RD620/V580-8*	561